

Fast Ion Gauge Feedthrough Retaining Ring

Material: Aluminum

Quantity: 1

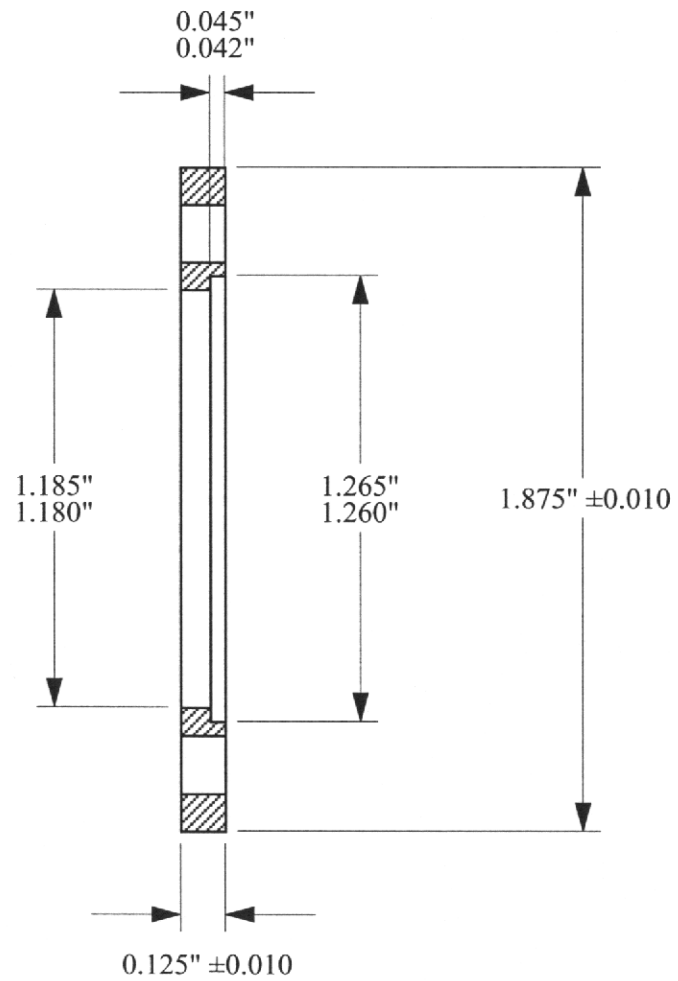
Scale 2:1

Julie Mueller

Butler Group

May 11, 2000

2-9003



6 evenly spaced 8-32
clearance holes on a 1.500"
bolt circle

