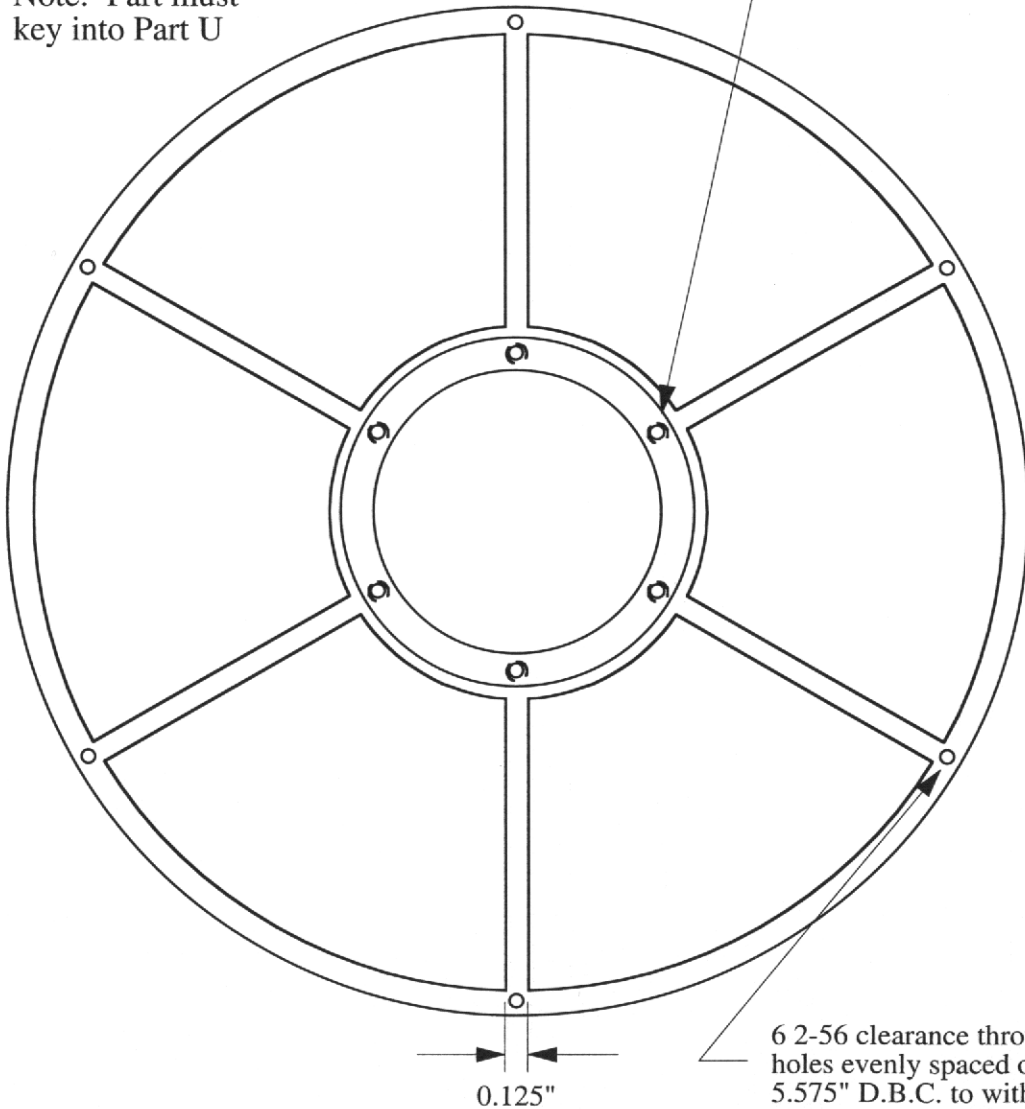


Part V  
 Aperture Mount  
 Quantity: 1  
 Material: SS304  
 Scale: Full  
 Tolerances: +/- 0.005" unless otherwise specified  
 Note: Part must key into Part U

6 4-40 tapped through holes evenly spaced on a 1.812" D.B.C. to within 0.002" t.p.

Julie Mueller  
 Butler group  
 Dec. 10, 1999  
 2-9003



6 2-56 clearance through holes evenly spaced on a 5.575" D.B.C. to within 0.002" t.p.

