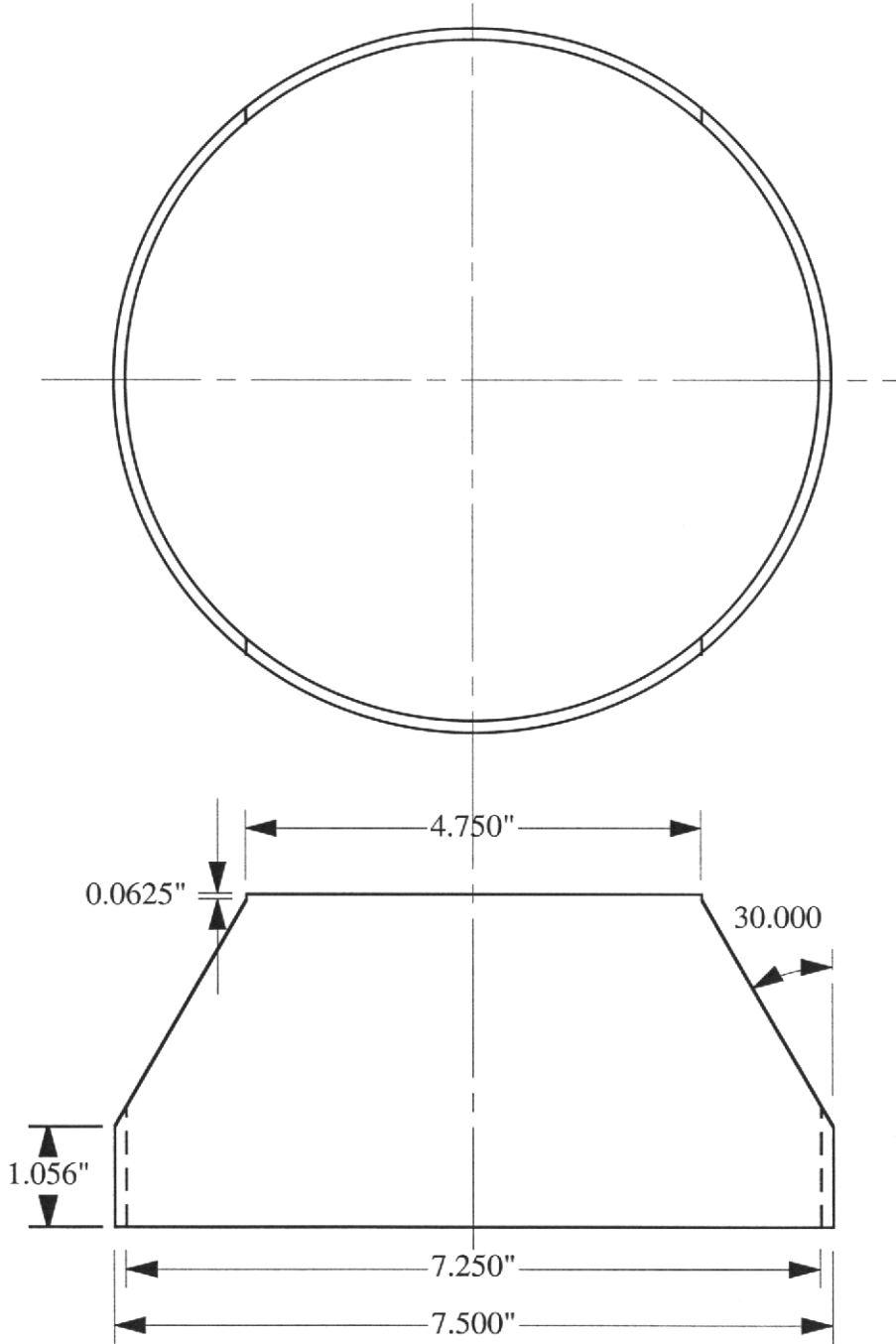


Julie Mueller  
Butler Group  
Nov. 9, 1998  
2-9003



Part E  
Skimmer Mount Tube  
Material: SS304 tubing, 7.5" O.D., 0.125" wall  
Quantity: 1  
Tolerances: +/- 0.010"  
Scale: Half

